

Forbes Marshall Moisture Separator - Screwed / Flanged

Description

The Forbes Marshall Moisture Separator FMSEP31 (screwed) / FMSEP34 (flanged) is a cast iron baffle type separator used for the removal of entrained liquids in steam, so that they can be drained away as condensate.

Size and End Connections

DN 15 and DN 20 – Screwed BSPT/NPT

DN 25 to DN 250 – Flanged (for details, see overleaf)

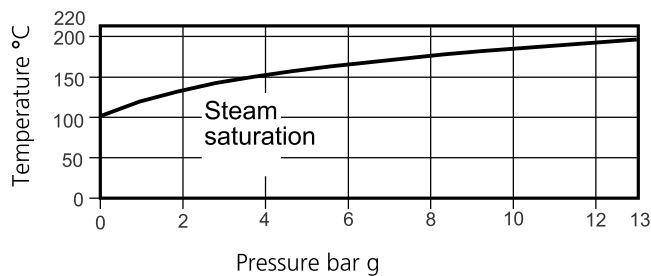
Notes : Available with IBR test certificates, on request.

Optional insulation jackets are available which will increase the performance of the separator.

Limiting Conditions (DN 15, 20)

Body design condition	13 bar g at 220 °C
Cold hydraulic test pressure	26 bar g

Operating Range



Material

No	Part	Material	Standard
1	Body	Cast Iron	IS 210 Gr FG 260
2	Baffle Plate	Cast Iron	IS 210 Gr FG 260
3	Cover	Cast Iron	IS 210 Gr FG 260
4	Gasket	Asbestos free	IS2712
5	Hex HT Bolt	Carbon Steel	IS1367 Gr. 8.8

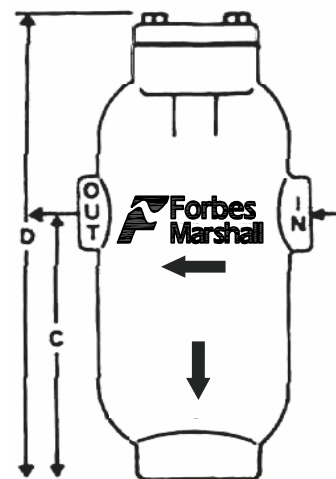
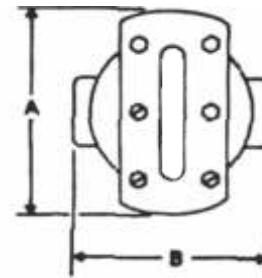
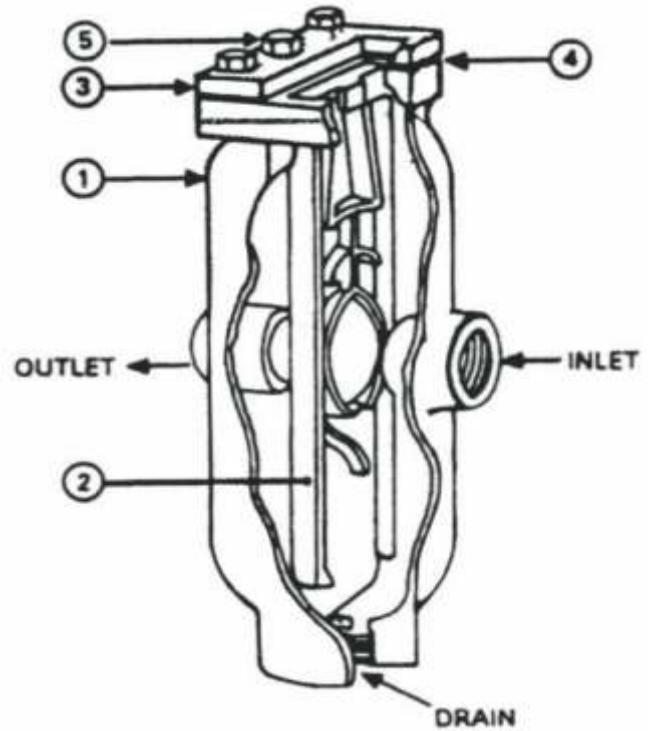
Dimensions: (approx.) in mm for FMSEP31 DN15/20

Size	Dimensions				Weight Kg
	A	B	C	D	
DN 15	86	90	110	215	4
DN 20	83	115	143	248	6.3

General Tolerance ± 3

How to Order

Example : DN20 BSPT Forbes Marshall Moisture Separator FMSEP31, IBR

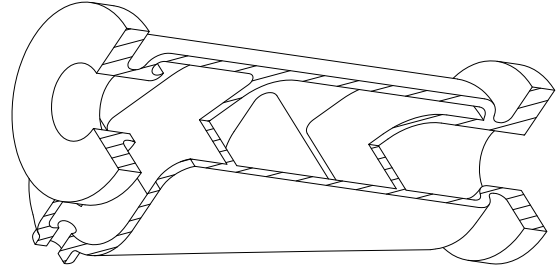


Sizes and End Connections

Flanged DN 25, 40, 50, 65, 80, 100, 125, 150, 200 and 250
Available with IBR test certificates, on request.

Limiting Conditions (DN 25 - 250)

Flange Types	Max. Working Pressure	Max. Working Temp.
TAB 'F'	20.6 bar g at 120 °C	220 °C at 13 bar g
PN 10	10 bar g at 120 °C	220 °C at 7.6 bar g
PN 16	16 bar g at 120 °C	220 °C at 12.1 bar g
ASA 125/150	13 bar g at 120 °C	220 °C at 10.5 bar g



How to Order

Example DN 40 Forbes Marshall SEP34 Moisture Separator,
Flanged ANSI Class 150

Dimensions (approx. in mm) for FMSEP34 DN 25-250

Size DN	Dimensions				Flange Connections				Weight Kg
	A	B	C	D	TAB F	CLASS 125/150	PN 10	PN16	
25	280	70	98	3/4"	A	A	A	NA	11.5
40	368	89	111	3/4"	A	A	A	NA	14.5
50	457	121	146	1"	A	A	A	A	26
65	405	146	170	3/4"	A	A	A	A	37
80	483	152	175	1"	A	A	A	NA	46
100	692	197	238	1"	A	A	A	NA	77
125	705	354	233	1"	A	A	A	A	161
150	706	375	232	1"	A	A	A	A	185
200	762	416	305	1 1/2"	A	A	A	NA	255
250	822	472	382	1 1/2"	A	A	A	NA	350

A-Available
NA-Not Available

Installation

The FMSEP31 / FMSEP34 is installed in a horizontal pipeline with the drain directly below.

Note: To ensure that any separated liquid is drained away quickly, a suitable steam trap must be connected to the drain connection. Consult Forbes Marshall for further details.

